

Vegetable Slicer Cutter Slicer - 5.5 QT - Variable Speed

ITEM # _____
 MODEL # _____
 NAME # _____
 SIS # _____
 AIA # _____



600519 (K55YVVU)

Vertical Cutter/Mixer, bench-style, variable speed (300-3700 RPM). Supplied with 5.8 quart removable stainless steel bowl with clear BPA-free lid, equipped with scraper. Microtooth blade rotor and metal motor housing 1-1/3HP

Short Form Specification

Item No. _____

Vertical Cutter/Mixer, bench-style, variable speed (300-3700 RPM). Supplied with 5.8 quart removable stainless steel bowl with clear BPA-free lid, equipped with scraper. Microtooth blade rotor and metal motor housing, 1-1/3HP

Main Features

- Emulsifier function (scraper) included as standard.
- All parts in contact with food are removable without the use of tools, completely dismountable and dishwasher safe.
- Pulse function to coarse chopping.
- Base fixed cover for a better handling.
- Delivered with:-5.8 qt stainless steel cutter bowl, transparent lid, scraper and microtoothed blade rotor.
- Capacity:-cutter mixer working capacity from 3.5 ounce (100 g) to 5.5 lbs (2.5 kg), for 50-100 meals per service.

Construction

- All blades (available on request) are made in stainless steel and dishwasher safe.
- Power: TK55 - 1.3 HP.
- Stainless steel bowl has a high chimney to ensure high productivity also when processing liquids (75% of the nominal capacity).
- IPX5 (IP55) flat panel touch-control, watertight panel.
- Compact and portable design.
- Asynchronous industrial motor with no brushes for high reliability and quiet functioning, stainless steel motor shaft.
- Improved ventilation system to manage smoothly heavy duty use.
- Reinforced feet to withstand the repeated handling of the unit.
- Food processing at 10 variable speeds: 300-3700 rpm.

Included Accessories

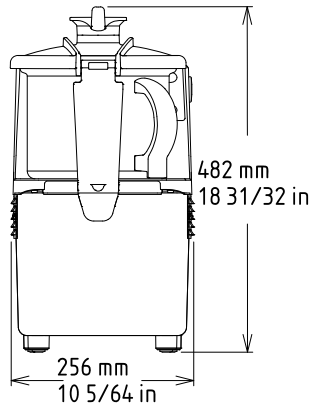
- 1 of Lid & bowl scraper, 5.8 quart, PNC 650102 for cutter/mixer
- 1 of Bowl, 5.8 quart, for cutter/ PNC 653590 mixer, stainless steel

Optional Accessories

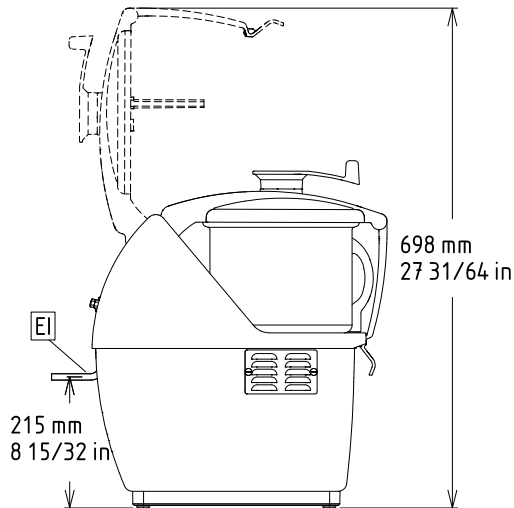
- Lid & bowl scraper, 5.8 quart, for PNC 650102 cutter/mixer
- EMULSIFYING KIT FOR K55 PNC 650103
 VARIABLE SPEED, INCLUDING
 5.5QT SS BOWL, SMOOTH
 EMULSION BLADE, LID,
 SCRAPER
- Bowl, 5.8 quart, for cutter/mixer, PNC 653590
 stainless steel

APPROVAL: _____

Front

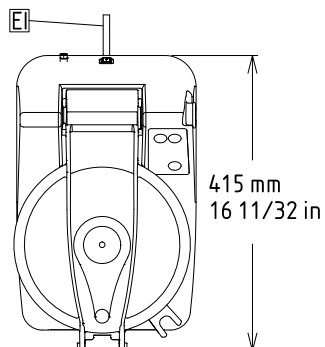


Side



EI = Electrical connection

Top


Electric
Supply voltage:

600519 (K55YVVU)

110-120 V/1N ph/60 Hz

Total Watts:

1.3 kW

Plug type:

USA NEMA 5-15P

Key Information:
External dimensions, Width: 10 1/16" (256 mm)

External dimensions, Depth: 16 5/16" (415 mm)

External dimensions, Height: 19" (482 mm)

Shipping width: 11 13/16" (300 mm)

Shipping depth: 23 5/8" (600 mm)

Shipping height: 21 5/8" (550 mm)

Shipping weight:

57 lbs (26 kg)